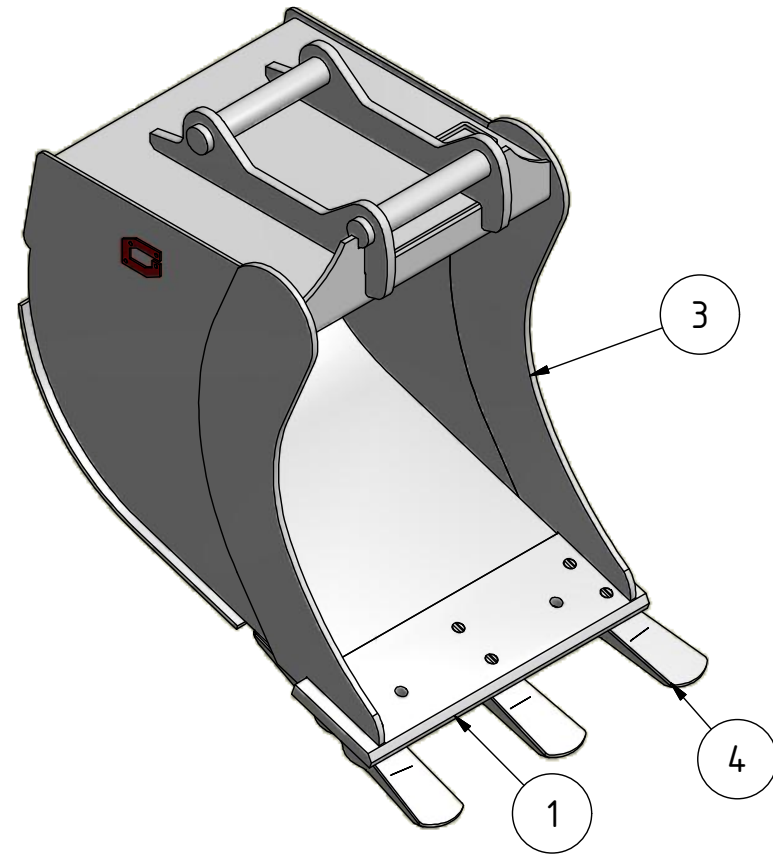
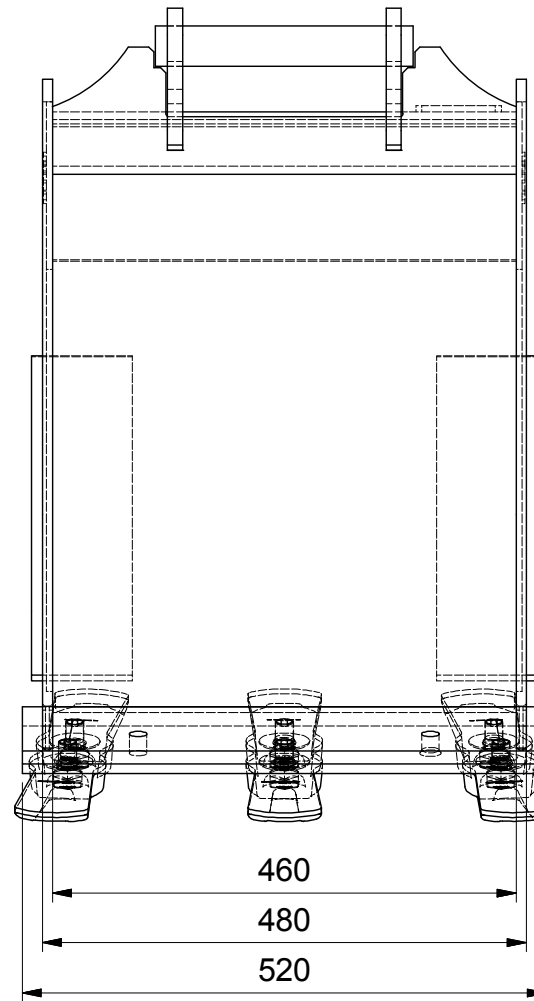
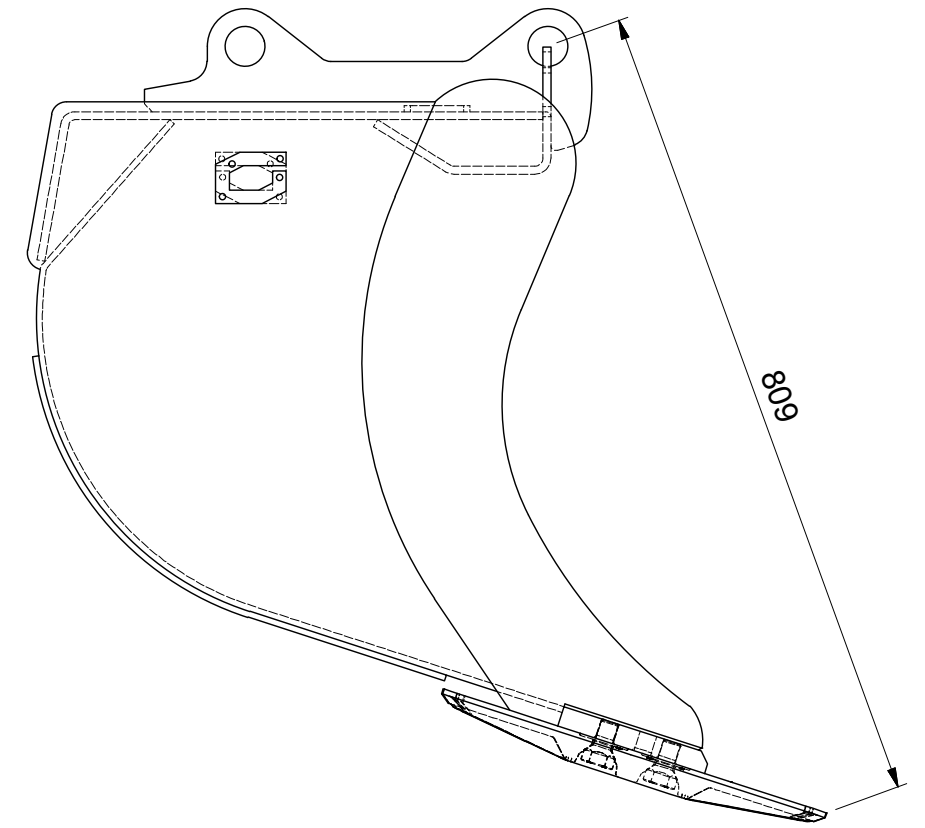


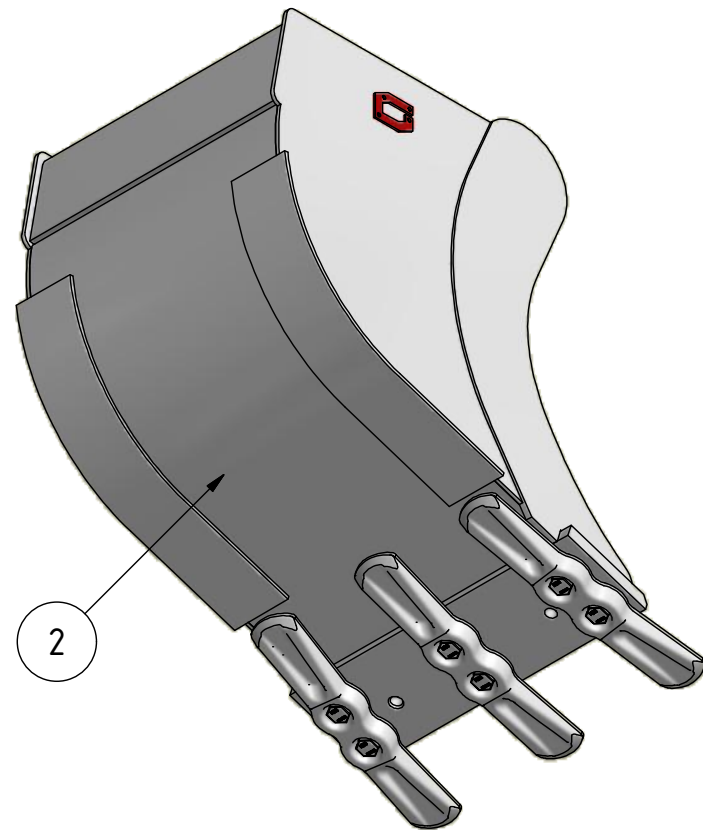
VIEW6 (1 : 10)



VIEW4 (1 : 7.5)



VIEW7 (1 : 10)



**Recommended machine weight:** 2-3T

SPECIFICATION			
POS	TITLE	MATERIAL	DESCRIPTION
1.	FRONT EDGE KVX		20X153X520mm
2.	BOTTOM PLATE	HB450	6mm
3.	SIDE MEMBER	HB450	10mm
4.	GET		KVX M20
5.			
6.			

GENERAL TOLERANCES  
For non tolerance measurements

Denne tegning og konstruksjon er vår eiendom, og tillates IKKE kopiert eller benyttet uten vår tillatelse.  
Overtredelse vil kunne medføre straff og/eller erstatningsansvar i henhold til gjeldende lov.  
This drawing and design is our property, and NOT allowed copied or used without our permission.  
Any misuse can lead to prosecution and/or liability for compensation according to law.

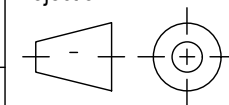
MACHINED PARTS:  
NS-ISO 2768-1  
Grade: m

GJERSTAD STD BUCKET 145L S40  
FRONT EDGE KVX

Scale:

A3

Projection:



Date: 10-Apr-15

Draw.: PR

Contr.:

WELDED CONSTRUCTIONS:  
NS-EN ISO 13920  
1. Linear measurements class: A  
2. Angle measurements class: B  
3. Straightness etc. class: F



Gjerstad Engineering AS  
Brokelandsheia, N-4993 sundebru  
www.gjerstad.com

Draw.no.:

**GE3053-A-SALE**

Total weight: 118 kg

Revision: