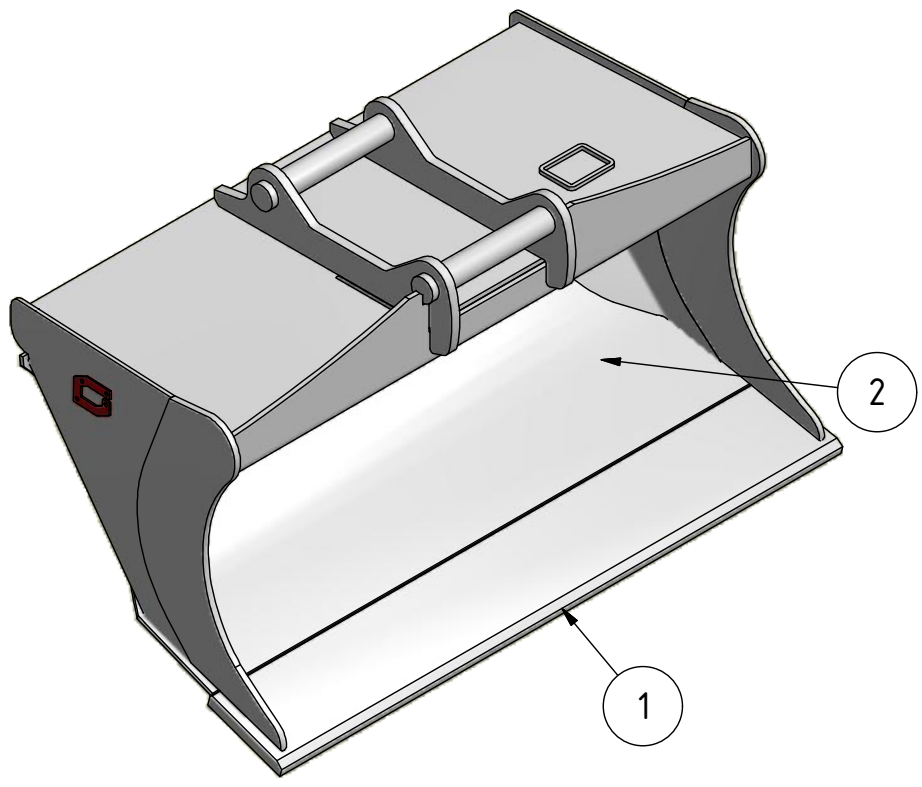
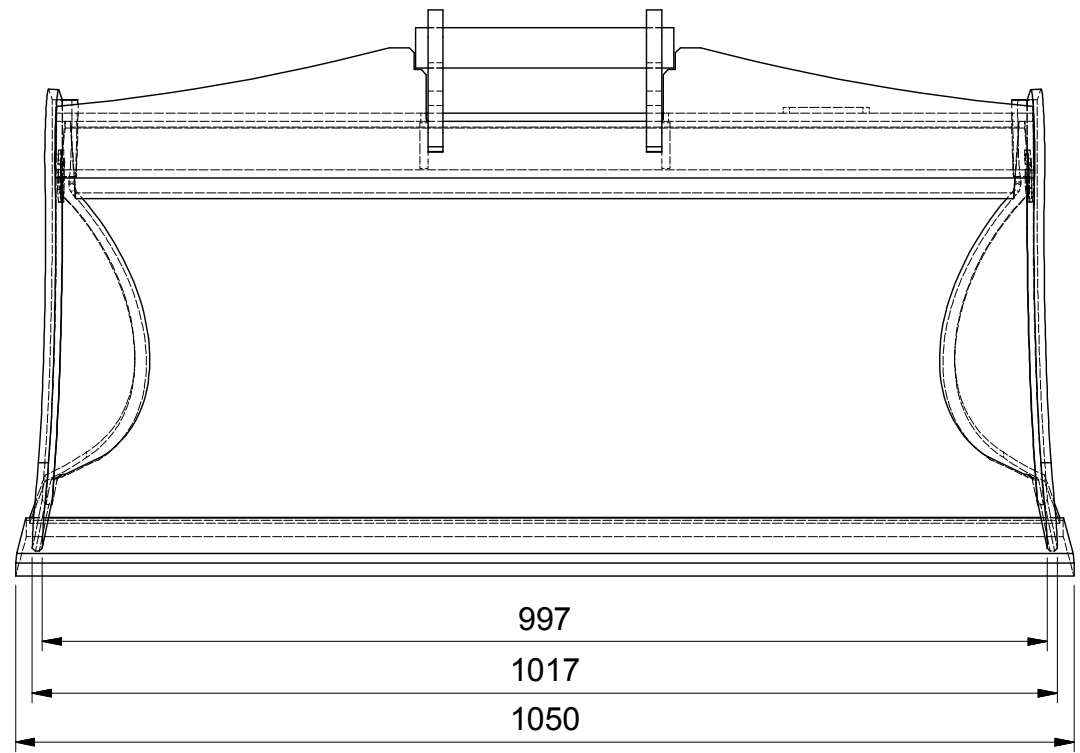
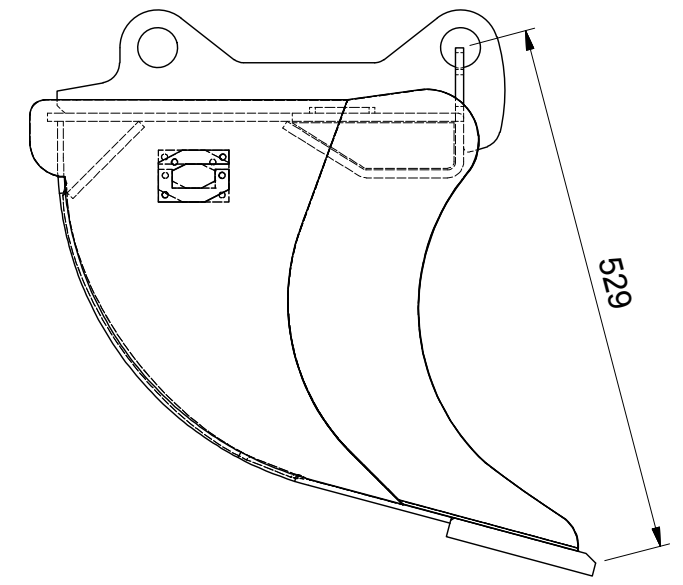


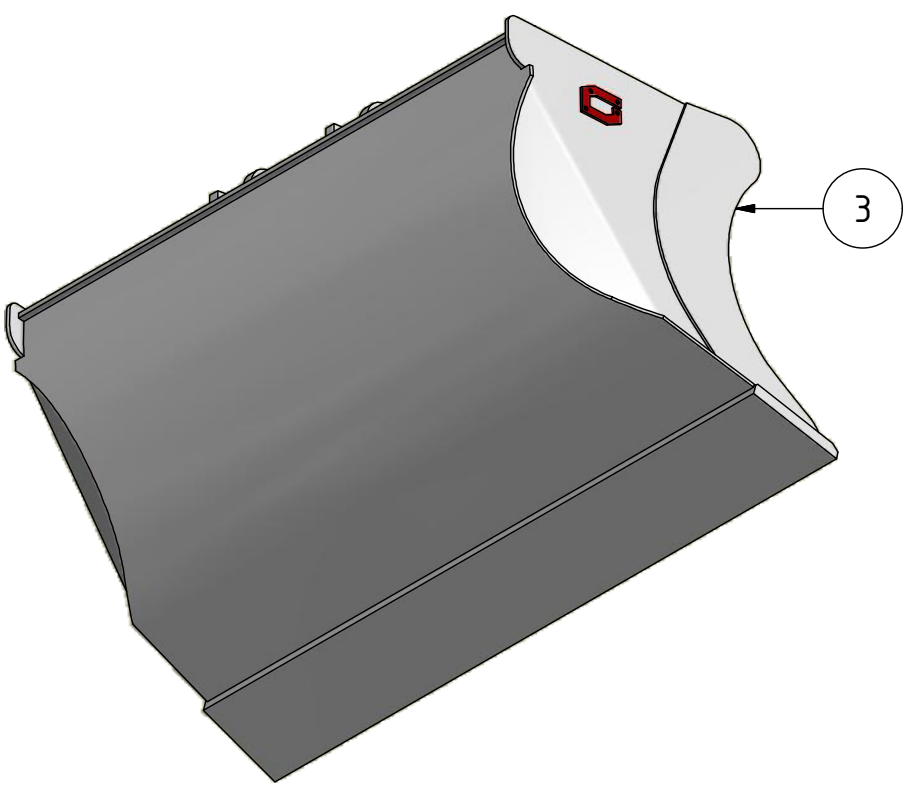
VIEW8 (1 : 10)



VIEW6 (1 : 7.5)



VIEW9 (1 : 10)



Recommended machine weight: 2-3 T

SPECIFICATION			
POS	TITLE	MATERIAL	DESCRIPTION
1.	FRONT EDGE	HB450	20x150x1050mm
2.	BOTTOM PLATE	HB450	6mm
3.	SIDE MEMBER	HB450	10mm
4.			
5.			
6.			

GENERAL TOLERANCES For non tolerance measurements		Denne tegning og konstruksjon er vår eiendom, og tillates IKKE kopiert eller benyttet uten vår tillatelse. Overtredelse vil kunne medføre straff og/eller erstatningsansvar i henhold til gjeldende lov. This drawing and design is our property, and NOT allowed copied or used without our permission. Any misuse can lead to prosecution and/or liability for compensation according to law.	
MACHINED PARTS: NS-ISO 2768-1 Grade: m		Scale: A3	Projection:
WELDED CONSTRUCTIONS: NS-EN ISO 13920 1. Linear measurements class: A 2. Angle measurements class: B 3. Straightness etc. class: F		GJERSTAD STD SLOPE BUCKET 110L S40	Date: 20-Apr-15 Draw.: PR Contr.:
Gjerstad Engineering AS Brokelandsheia, N-4993 sundebru www.gjerstad.com		Draw.no.: GE3301-A-SALE	
		Total weight: 126 kg	Revision: